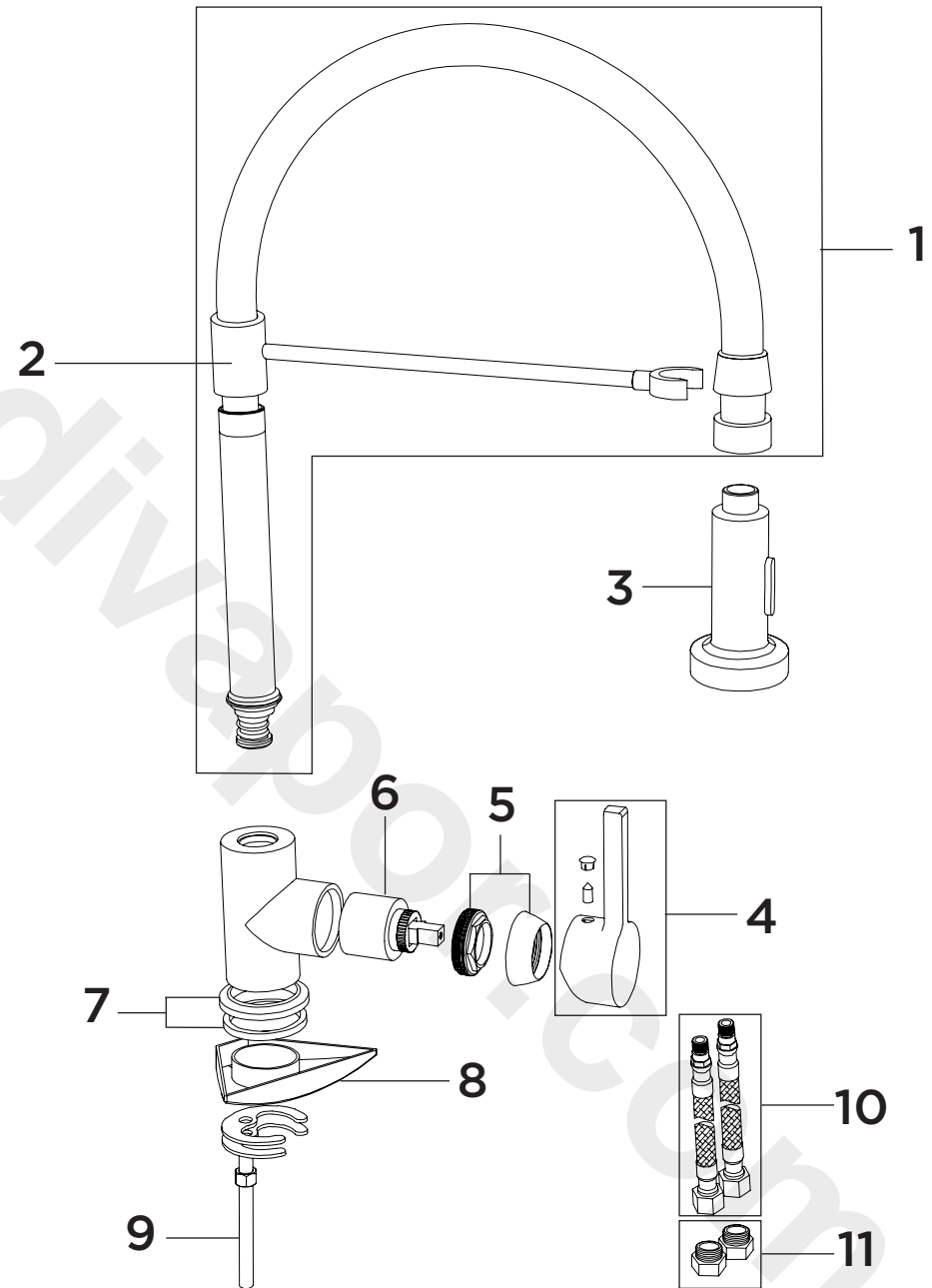


**Product Code:** LQR PROSNK C

**Revision:** D6



1	Spout Assembly
2	Spout Arm
3	Handset
4	Handle Assembly
5	Shroud & Retaining Nut
6	Cartridge
7	Plinth & Washer
8	Reinforcing Plate
9	Fixing Kit
10	Flexible Tails (Pair)
11	Non-Return Valves (Pair)